

Mounting: on-ground post
Housing: aluminum alloy with high corrosion resistance
Diffuser: thick clear safety glass
Reflector: pure anodized aluminum
Gasket: silicone
Finish options: 11-black matte/13-grey
Wind catching area: 0.89 m²
Note: *custom sizes/wattage on request

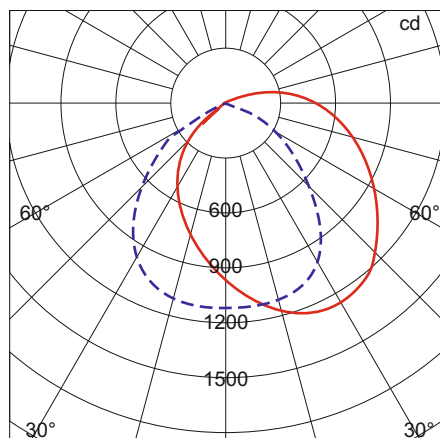
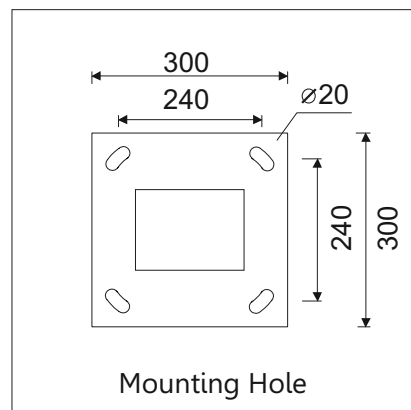
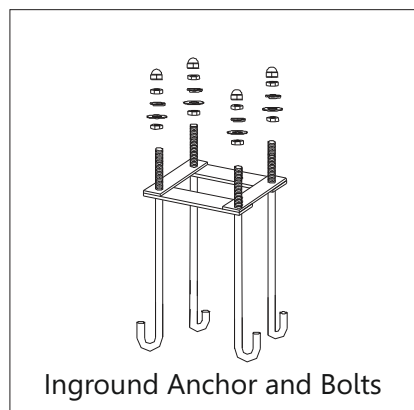
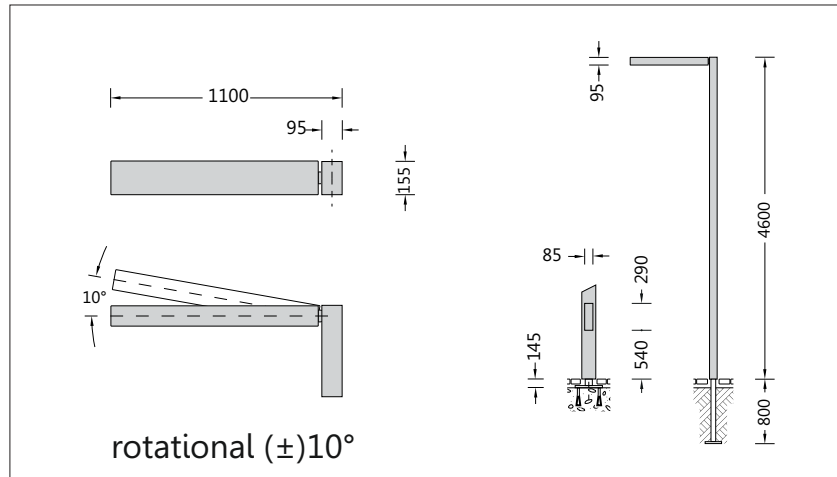
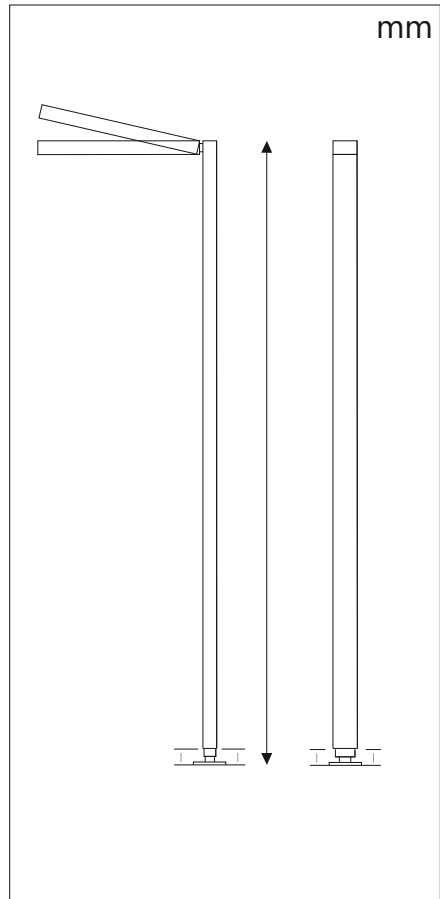
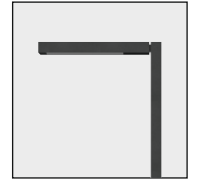
LED: CREE
CRI: Ra>80 (± 3000k)
 Ra>70 (± 4000k)
CCT:
 CT30-3000K/CT40-4000K
LED life time: 50,000 hrs
Nominal efficacy:
 93.9-100 lm/w (± 3000k)
 114-122 lm/w (± 4000k)

LED driver: integral
Volt AC: 240V
Frequency: 50/60Hz
LED driver options:
 ND - non-dimmable
 PH - phase dimmable
 010V - 0-10V dimmable
 DALI - compatible

Application:
 outdoors
 public/private/residential streets
 parks/pathways
 gardens
Ambient Temp: -40°~+60°C



Ref Code	Watt	Lm(±)
43.42.027.01.39	39W	2400
43.42.027.01.44	44W	4800



2850-3250K max.1250cd